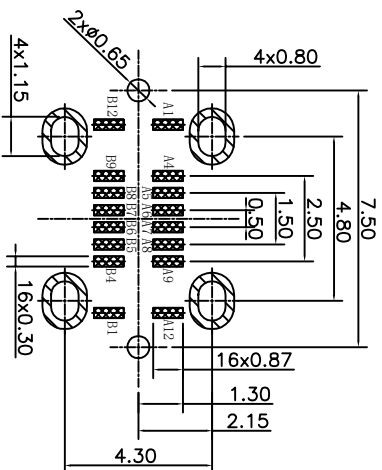
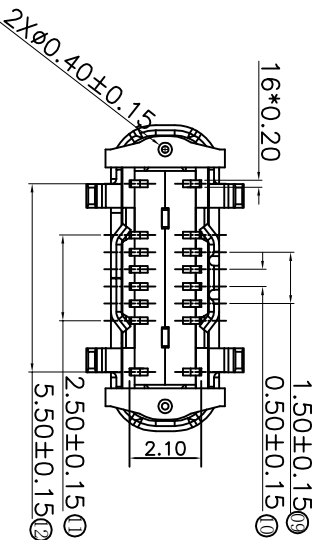
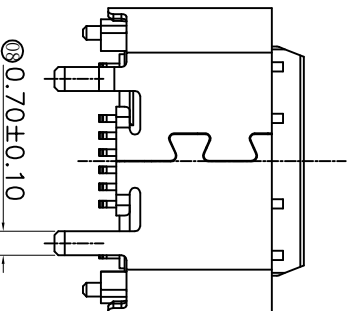
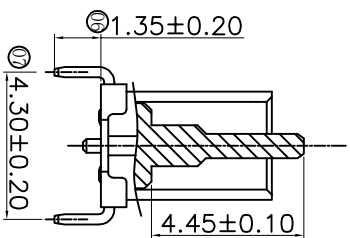
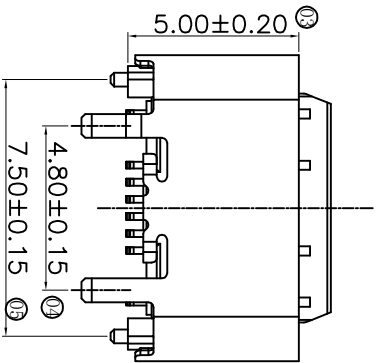
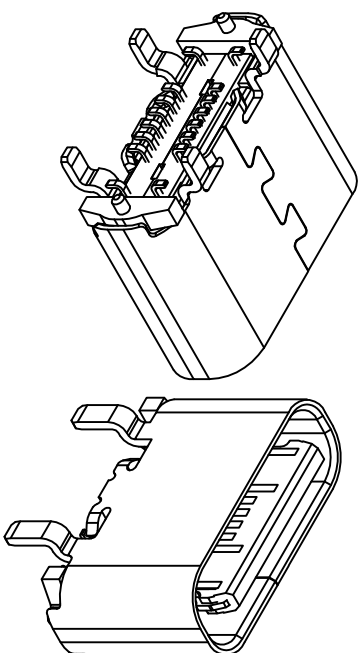
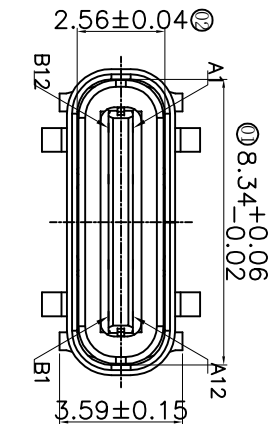


Compliant  
RoHS REACH



RECOMMENDED P.C.B. LAYOUT  
TOLERANCE UNSPECIFIED ±0.05mm

REV	DESCRIPTION	DATE	APPROVED
A	Initial release	2022.5.20	Alan

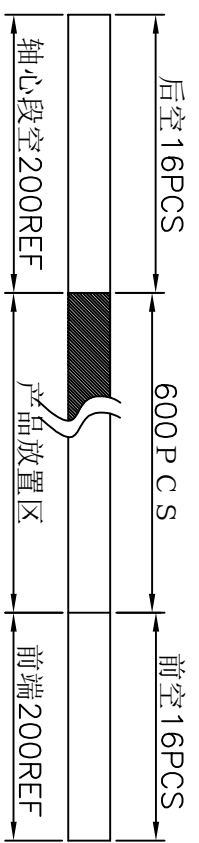
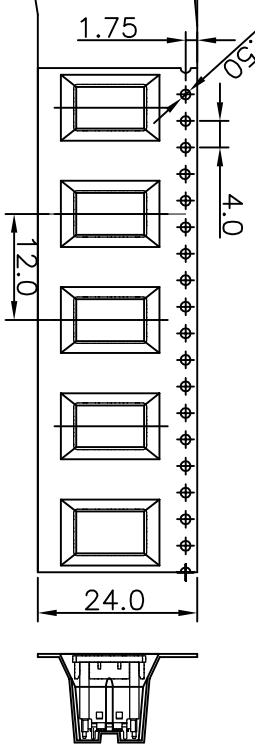
- Features:
- First, electrical performance: ELECTRICAL
  - 1. Rated current: 5.0A
  - 2. Contact impedance: 40 MILLIOHMS MAX
  - 3. Withstand voltage: 300V AC / 1 mA MAX
  - 4. Insulation impedance: 150V DC/100 MEGA OHMS MIN
- Second, mechanical properties:
- 1. Insertion force: 5~20N 2. Output: 8~20N
  - 2. Service life: 10000 times, pullout 5N MIN
- Third, MATERIAL: MATERIAL
- 1. Electroplating :FINISH
  - 2. Electroplating products need to do the tin sticking test: the tin sticking area is more than 95%.
  - 3. SMT reflow welding (peak 260° C±5° C) can not bubble, melt Poor adhesive and discoloration (deformation within tolerance)
  - 4. Working temperature: -55° C~+100° C
  - 5. Salt spray test: Through 24H salt spray test at a concentration of 5±1% salt water, no rust phenomenon.

A1	GND	B12	GND
A4	VBUS	B9	VBUS
A5	CC1	B8	SBU2
A6	DP1	B7	DN2
A7	DN1	B6	DP2
A8	SBU1	B5	CC2
A9	VBUS	B4	VBUS
A12	GND	B1	GND
PIN	SIGNAL NAME	PIN	SIGNAL NAME

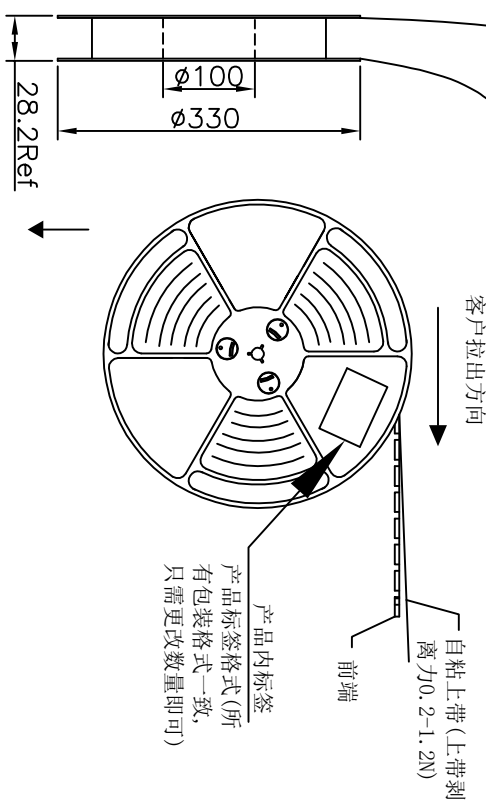
**LONAO**  
Shenzhen Lonaoo Technology Co., Ted

TITLE		DRAW:	
USB Type-C Receptacle CONNECTOR		CFY	
Stand 180° 16PIN H=5.0 SMT Feet 1.35		DATE: 2022.5.20	
GENERAL TOLERANCE		CHECK:	
0. ±0.30	DWG. NO. CF-16P-009	Romie	
0.0 ±0.25	Drawing type	DATE: 2022.5.20	
0.0 ±0.20	Finished drawing	SCALE 1:1	
0.0 ±4°	PROJECTION:	APPD: Alan	
0.0 ±3°		DATE: 2022.5.20	

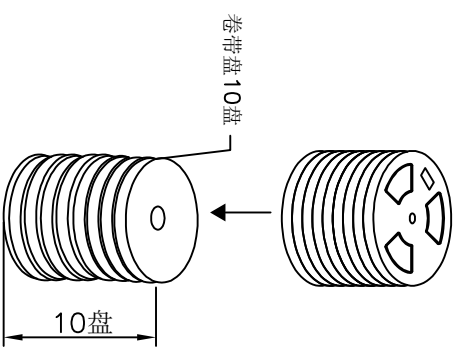
Compliant  
RoHS REACH



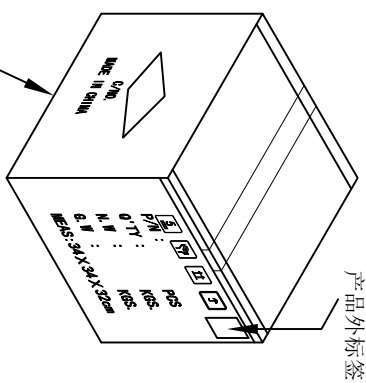
包装示意图:



产品内标签  
产品标签格式(所有包装格式一致, 只需更改数量即可)



将10盘产品放入纸箱内



产品外标签

纸箱规格:  
34.0X34.0X32CM

- 备注:
1. 把上下载带送入载带机进行调整, 然后将产品按照指定的方式摆入下载带中, 开动载带机进行卷装(每卷包600PCS), 卷装完成后需用上带缠绕最少20CM;
  2. 在卷装OK的每卷盘面的指定位置上贴物料和RoHS标签装入纸箱内; 每箱装10盘
  3. 纸箱用封箱带将其封好, 胶带要求工字型, 不可遮住标签;
  4. 如果客户对包装标签另有要求, 请按客户要求作业; 有未满之零数箱需用缓冲材料填充;
  5. 上载带剥离力: 0.2-1.2N;

# LONAOO

## Shenzhen Lonaoo Technology Co., Ted

TITLE		USB Type-C Receptacle CONNECTOR		DRAW:	
Stand 180° 16PIN H=5.0 SMT Feet 1.35				CFY	
DWG. NO.		Drawing type		DATE	
PROJECTION:		Finished drawing		2022.5.20	
		SCALE		CHECK:	
		1:1		DATE	
		UNITS		APPD:	
		MM		Alan	
				2022.5.20	

REV	DESCRIPTION	DATE	APPROVED
A	Initial release	2022.5.20	Alan